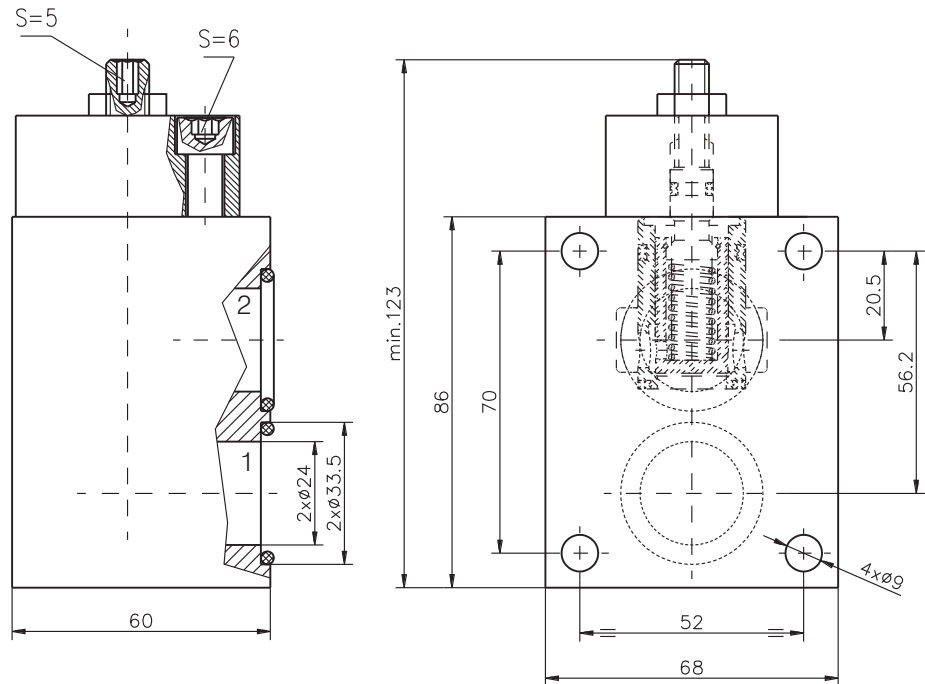
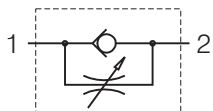


DESCRIPTION

- ✓ Adjustable throttles with check valves for pipe mounting-DROK16P
- ✓ The throttle check valves limit flow by adjustable throttling spool at one direction , and allow free return passing on the other.

DIMENSIONS

SYMBOL

ORDERING CODE

DROK	16	P
------	----	---

Adjustable throttle with
check valve
Nominal bore - 16 mm.

Pipe mounting

TECHNICAL DATA

Max. Pressure	320 bar
Rated flow ($\Delta p=2,5$ bar.)	160 l/min
Cracking pressure (for check valve)	0,5 bar
Working liquid-hydraulic oils with characteristics:	
-viscosity	10...400 cSt
-degree of filtration	0,025 mm
-temperature	-20...+80°C